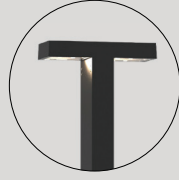
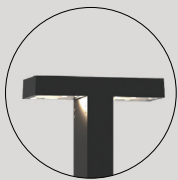
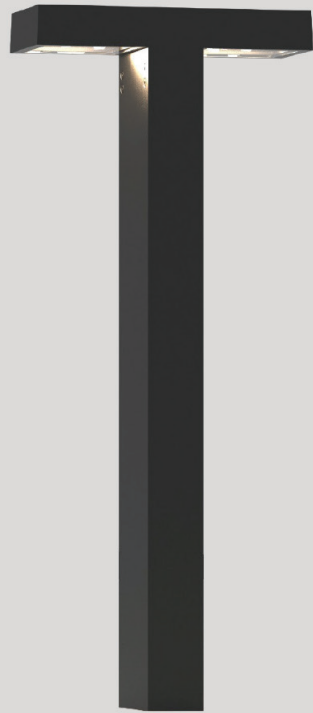


BEGA DOUBLE HEAD  
BOLLARD

divinity lights





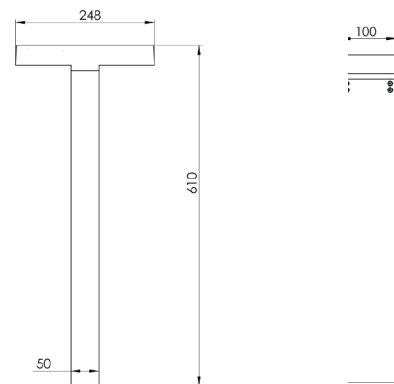
Quick Info

- CRI ≥ 90
- 3000K, 4000K, 5700K
- Up to 80 lm/W
- Non-Dimmable/ Dali-Dimmable
- SDCM<3
- Clear Glass
- L70 @50,000h
- Aluminium Die-Cast

Type

Surface

Single Line Diagram



**BEGA DOUBLE HEAD BOLLARD**

Bega Double Head Bollard fixture has :

- Luminaire housing of Aluminium
- IP66, High Ingress Protection against dust & moisture
- Flicker free operation for eye protection
- Energy-efficient LED with high colour rendering
- The built quality ensures long and maintenance free service life
- Optimum for every outdoor space including society parks, streets, educational institutes, and pathways
- Garden & pathway luminaires create pleasant light distribution with a high degree of visual comfort
- Sustainable LED technology offers durability and optimal light output with low power consumption

BEGA DOUBLE HEAD BOLLARD



Product order code	System Power	Dimensions
1886	10WX2	L=248mm W=100mm H=400mm
1887	15WX2	L=248mm W=100mm H=400mm

Order Options

CCT (Color Temperature)

- 3000K
- 4000K
- 5700K

CRI

>90

Beam Angle

30°

Control

Non-Dimmable



Mounting Type

Surface

Material Color

Grey

